

AZO feeding hopper type ET...H Hygienic Design

Hygienic Design

**Low-dust bulk
material feed**

**Wet cleaning with
jet cleaner**

**Easy to remove
cover gasket**

Preferred applications

The hygienic design hopper serves to feed bulk solids in powdered and granular form into closed materials handling systems, especially in areas calling for the highest standards in hygiene. Products can be fed from sacks, boxes, drums or similar receptacles.

Special advantages

- Hygienic design:
 - Inside radii > 50 mm
 - Sloping run-off surfaces
 - No open threads
 - No hollow bodies
- Wet cleaning with jet cleaner
- Gasket easy to remove for drying after wet cleaning and easy to install as no adhesive is required
- The gasket is composed of silicone and is metal detectable.
- The sack support can be folded down or completely detached.
- Gas springs open the cover after releasing the clamps
- Cover switch for controlling system functions
- The cover switch complies with safety requirements for applications up to performance level D.
- Outlet, optimally adapted to downstream devices
- Suitable for ATEX zone 22 and 2

THE INNOVATION



Design

The feeding hopper is available in two different grades of stainless steel with a roughness depth of <math>< 0.6 \mu\text{m}</math> or <math>< 0.8 \mu\text{m}</math> depending on the surface finish. The radii on the inside of the feeding hopper are greater than 50 mm and can be cleaned leaving no residue. Wet cleaning is carried out with the integrated jet cleaner. The gasket used for the cover can easily be replaced as required, as

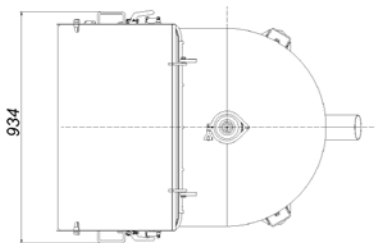
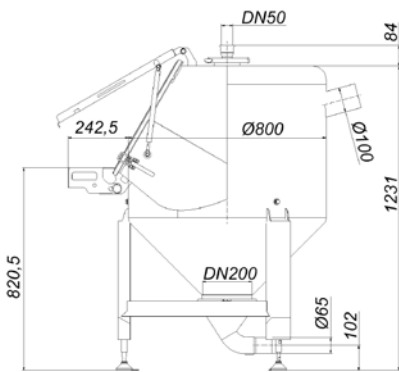
it is not attached with adhesive. It is made of silicone and is metal detectable. The feeding hopper is suitable for use in zones 22 and 2 areas where there is a risk of explosion.

To avoid dust escaping when sacks are discharged, an aspiration process can be connected that starts when the cover of the feeding hopper is opened.

The cover switch is suitable for use in safety applications up to performance level D, such as shutting down downstream dosing units.

The sack support can be folded down or completely detached. The support feed are hygienically designed with no visible thread.

Technical data



Type: **ET 800 H**

Weight: approx. 130 kg
 Capacity: 75 litres
 Material: Chrome-nickel-steel 1.4301 or 1.4404
 Gasket: Silicone, metal detectable
 EC 1935/2004 BfR recommendation XV. Silicone
 FDA: CFR 21 FDA §177.2600

Surface finishes

Roughness depth: Ra < 0,8 µm
 Ra < 0,8 µm, ViwateQ
 Ra < 0,6 µm, electrolytically polished

Connection values for cleaning water::

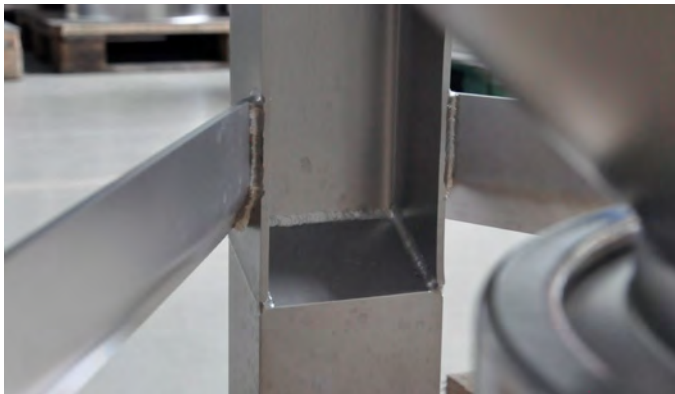
Pressure: 2 - 6 bar
 Volume flow: 60 - 115 l/min
 Typical consumption: approx. 100 l/cleaning cycle
 Connection: Clamping ring connection 2" DIN 11866 Series C



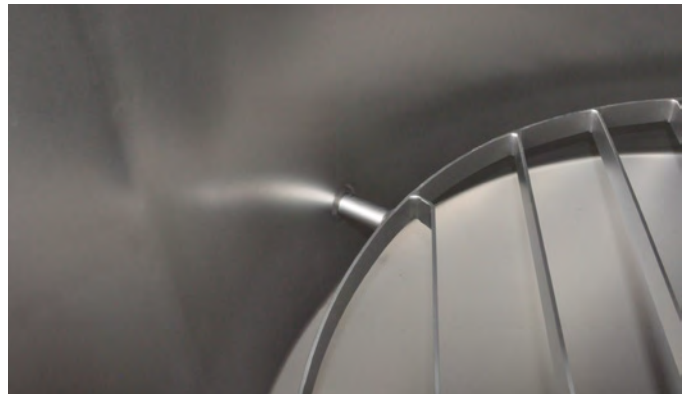
The sack support can be folded down or detached



Gasket easy to remove and install as no adhesive is required



Closed hollow sections that pose a potential hygiene risk have been replaced by solid body structures



No open threads on the inside